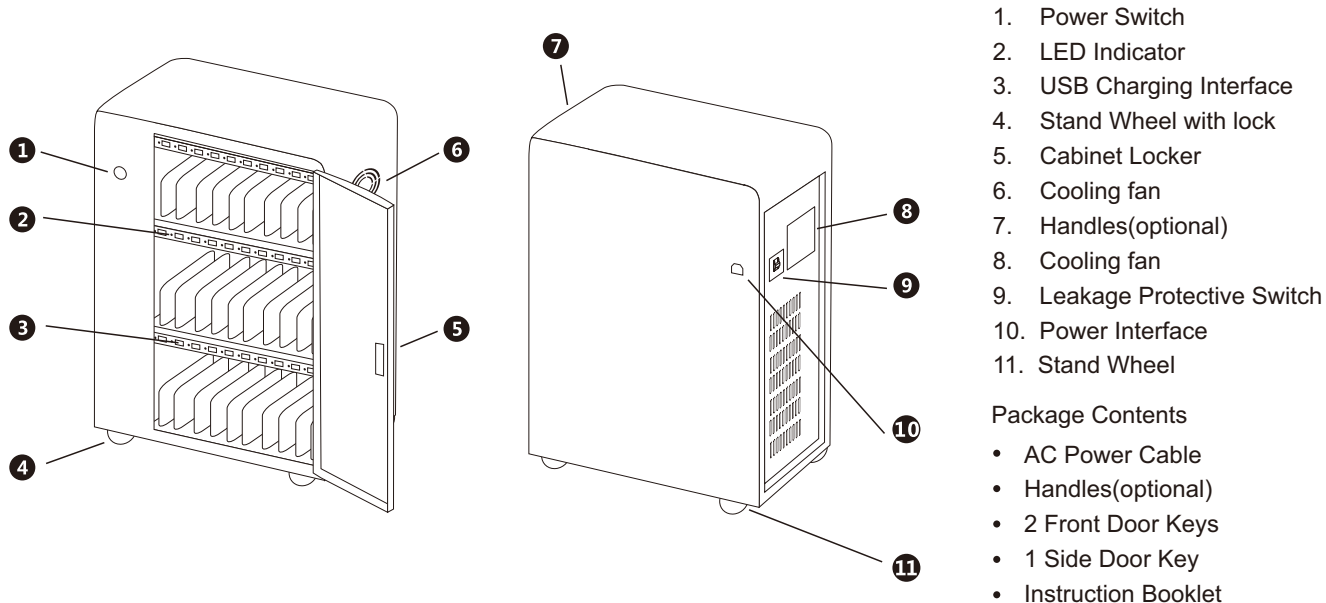


Charging Cart Manual



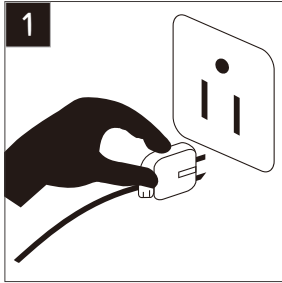
Tips : Before start using this product, please read the instructions carefully. Please strictly follow the instructions for installation, application and maintenance. We will not be responsible for any damage caused by the wrong operation.



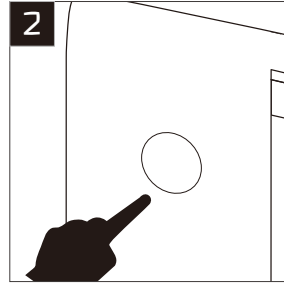
Product Specs

Model	QP-R10TA	QP-R20TA	QP-R30TA	QP-R40TA	QP-R52TA	QP-R60TA	QP-R65TA
Charging Numbers	10	20	30	40	52	60	65
Input Voltage	110/220V/50Hz	110/220V/50Hz	110/220V/50Hz	110/220V/50Hz	110/220V/50Hz	110/220V/50Hz	110/220V/50Hz
Outage Voltage	5V2.4A * 10USB	5V2.4A * 20USB	5V2.4A * 30USB	5V2.4A * 40USB	5V2.4A * 52USB	5V2.4A * 60USB	5V2.4A * 65USB
Pated Power	200W	300W	400W	600W	600W	800W	800W
Product Size	540*390*330mm	556*400*665mm	556*400*920mm	556*400*1190mm	650*400*1190mm	650*400*1455mm	650*400*1455mm
Packape Size	610*470*410mm	630*470*740mm	630*470*990mm	630*470*1245mm	720*470*1245mm	720*470*1510mm	720*470*1510mm
Net Weight	16 kg	32 kg	45 kg	53kg	61 kg	74 kg	75 kg
Gross Weight	20 kg	38 kg	54 kg	62 kg	71 kg	86 kg	87 kg

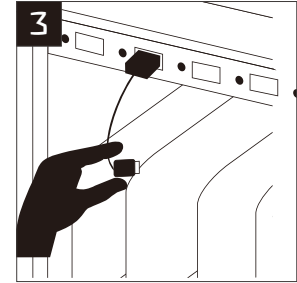
Using the Charging Cart



1 Plug in the power cord of the charging cabinet.



2 Turn on green button for charging.



3 Connect the device with the USB charging cable.

Safety promise

The following products strictly obey the law on national electrical product regulations and we promise to assume corresponding responsibility .

Safety precautions Before Use and Maintenance

Please check and confirm the following conditions before operation

Power outlet must connect with the ground to avoid electric leakage.

The cabinet must be located in a suitable storage . The wheels must be locked to avoid any movement .

In order to prolong life cycle , avoid rain and direct sunlight . Do not store the Cabinet next to Window .

Before moving , release the lock on the wheels .

Avoid pouring the water or alcohol directly onto the cabinet when cleaning . Liquid damage internal circuits .

For long term storage , remember to unplug the power cable and put a dust Cover over the Cabinet .

Only qualified personnels are permitted to service the cabinet . Always unplug power cable before proceeding .



Must ground lead



Avoid slope



Avoid high temperature



Avoid moisture